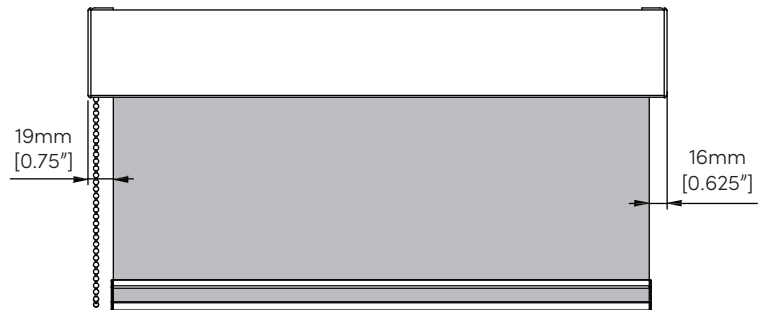
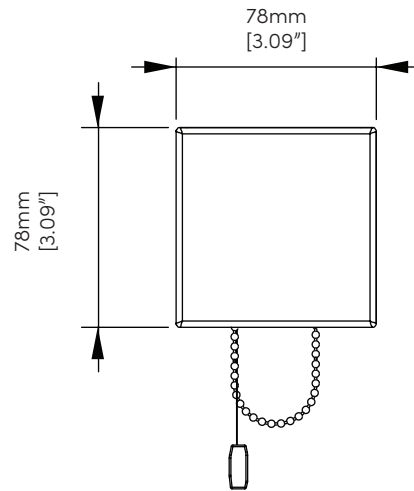
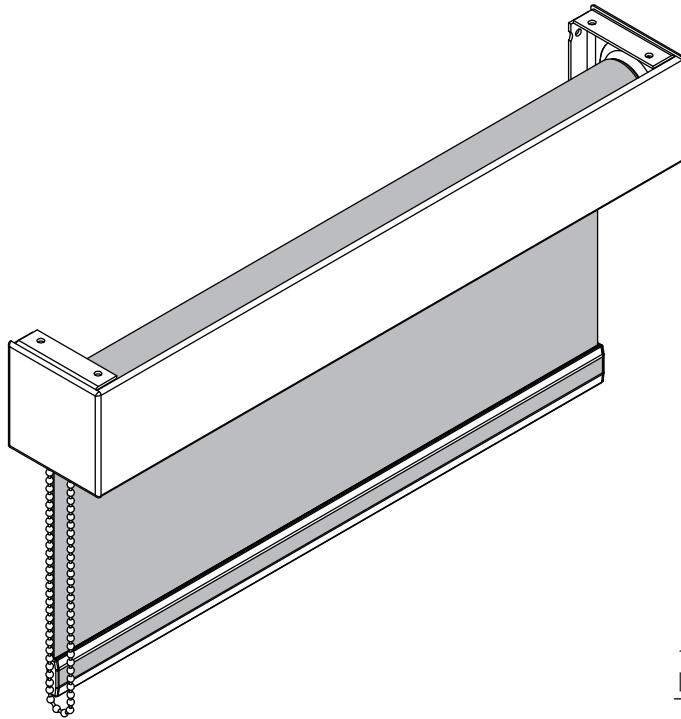


Z-300 FASCIA



DESCRIPTION

The Z-300 Fascia systems features a 3" aluminum fascia cover that conceals fabric roll and brackets. It can be easily removed if necessary for shade maintenance without uninstalling the entire shade. The fascia cover is available in square or curved designs. Motors and chains can be positioned for L or R side control.

FEATURES & OPTIONS



SPRING ASSIST



SIDE CHANNELS



LINKED SHADES



CHAIN CONTROL



MOTOR CONTROL



BACK COVER



SQUARE FASCIA

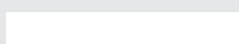


CURVED FASCIA

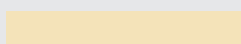


ON-SITE ASSEMBLY

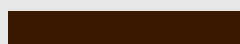
COLOURS



WHITE



ALABASTER



ESPRESSO



BLACK



ANODIZED