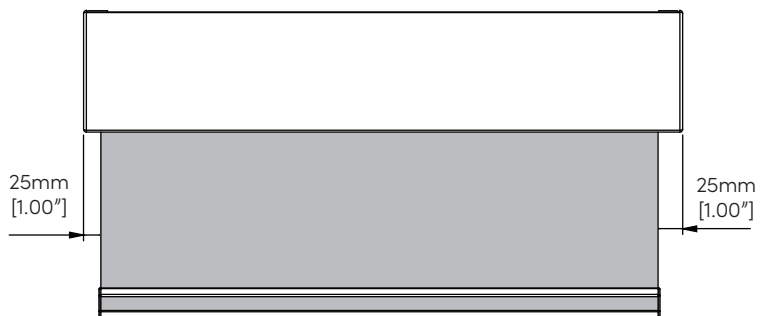
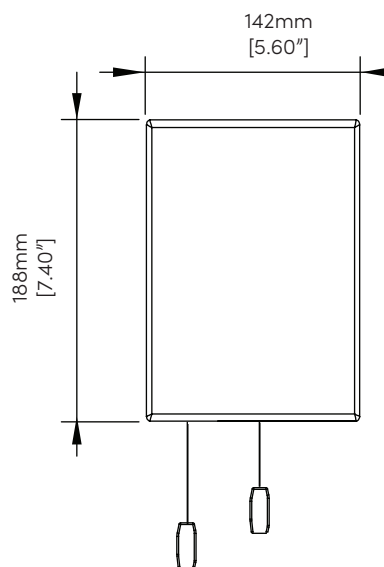
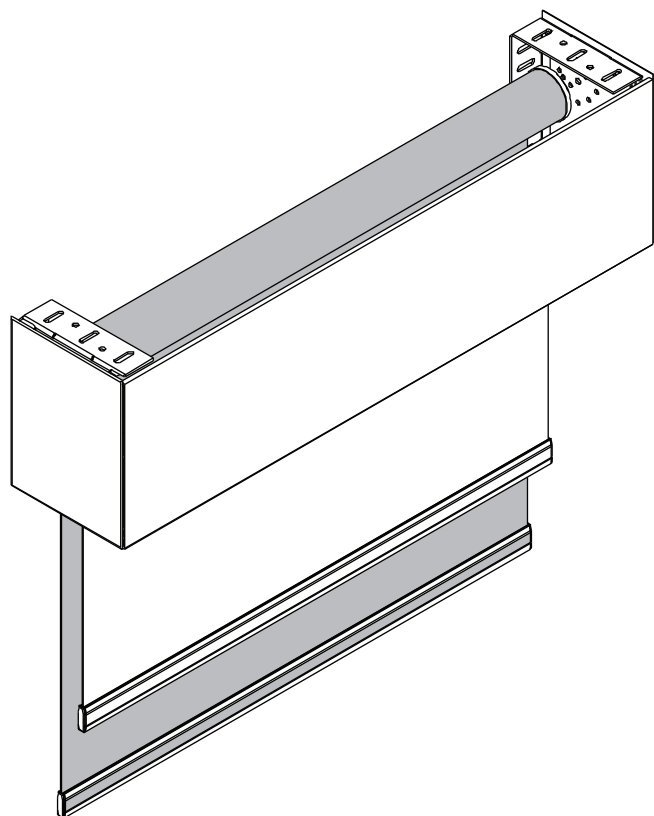


Z-700 TWIN SLIM FASCIA



DESCRIPTION

The Z-700 Twin Slim Fascia accommodates two roller shades of different opacities in one set of brackets. It has a removable 7" fascia cover for easy maintenance. This system is designed for large motorized or manually operated roller shades. Motors and chain controls can be positioned for LL, RR, or LR control.

FEATURES & OPTIONS



SIDE CHANNELS



LINKED SHADES



MOTOR CONTROL



CHAIN CONTROL

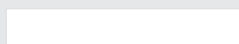


ON-SITE ASSEMBLY



FABRIC LEVELLING

COLOURS



WHITE



ESPRESSO



ANODIZED