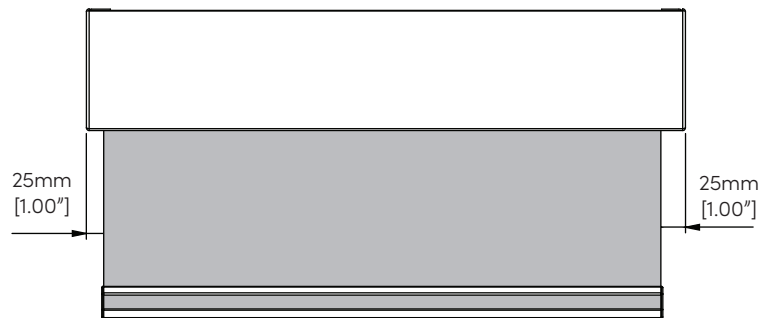
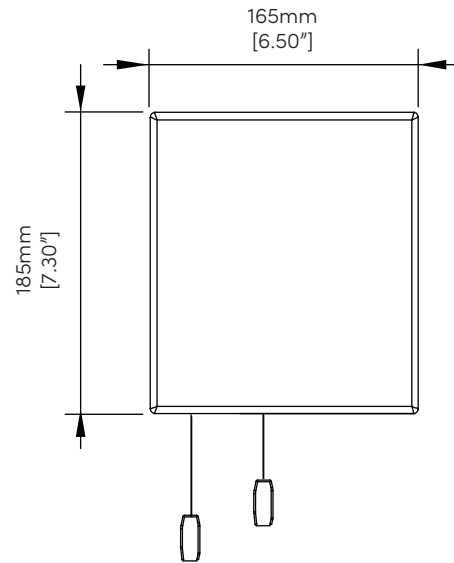
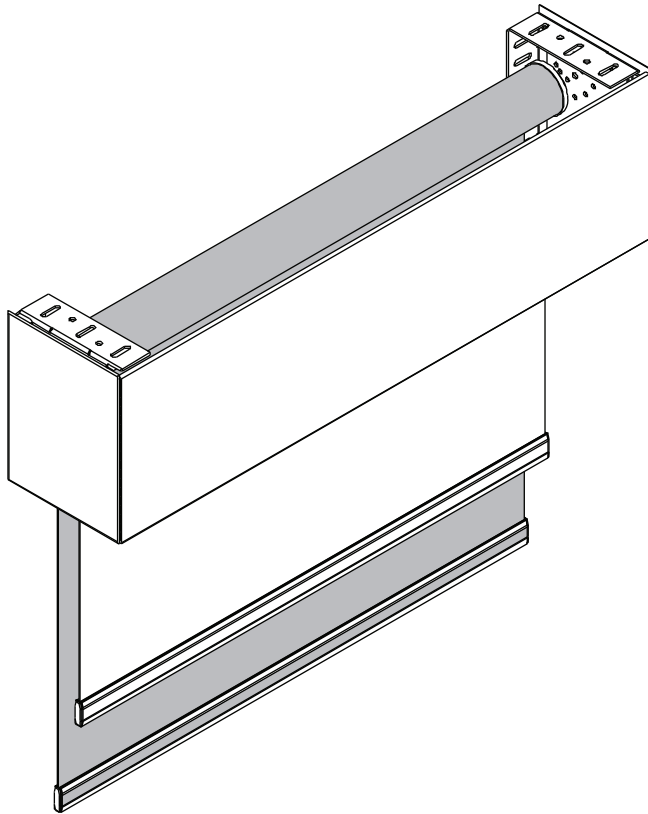


# Z-700 TWIN FASCIA



## DESCRIPTION

The Z-700 Twin accommodates two roller shades of different opacities in one set of brackets. It has a removable 7" fascia cover for easy maintenance. This system is designed for large motorized roller shades and can be installed on the window or recessed within a ceiling pocket. Motors and chain controls can be positioned for LL, RR, or LR controls.

## FEATURES & OPTIONS



SIDE CHANNELS



LINKED SHADES



MOTOR CONTROL



FABRIC LEVELLING

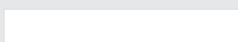


ON-SITE ASSEMBLY



CEILING POCKET

## COLOURS



WHITE



ESPRESSO



ANODIZED