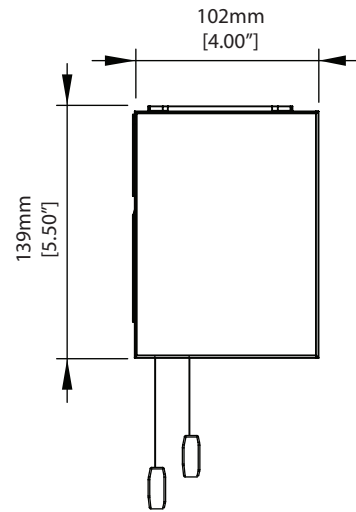
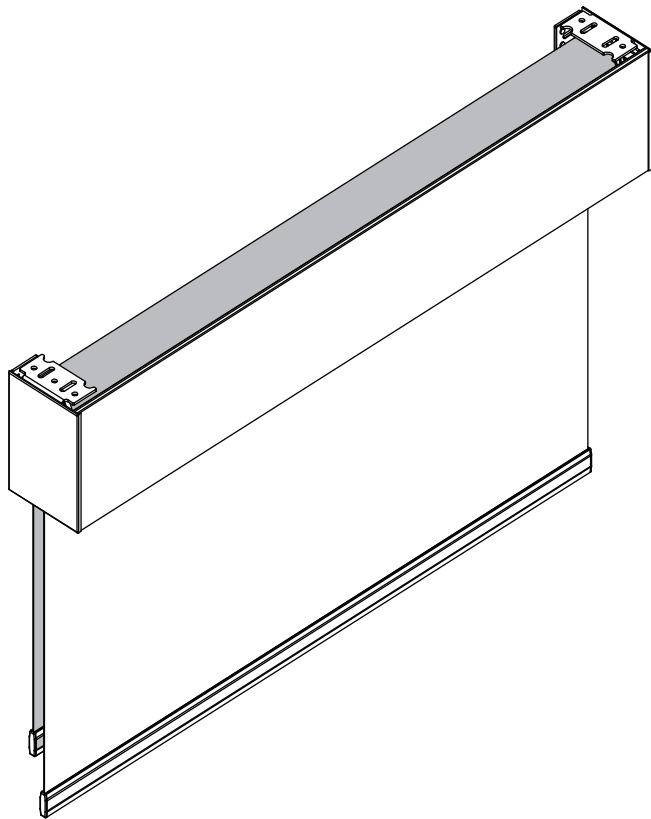


Z-550 TWIN SLIM FASCIA



DESCRIPTION

The Z-550 Twin Slim packs all of the features of the Z-550 Twin into a smaller package. This system is designed for smaller shades or narrow frame applications and features a removable 5.5" fascia cover for easy maintenance. Motors and chain controls can be positioned for LL or RR operation.

OPTIONS



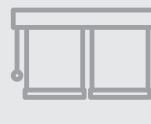
REVERSE ROLL



SPRING ASSIST



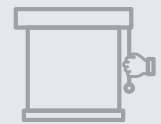
SIDE CHANNELS



LINKED SHADES



BACK COVER



CHAIN CONTROL



MOTOR CONTROL



ON-SITE ASSEMBLY

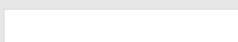


CEILING POCKET



FABRIC LEVELLING

COLOURS



WHITE



ESPRESSO



ANODIZED