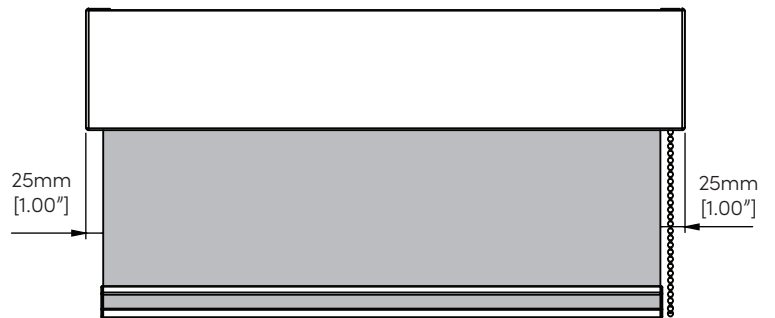
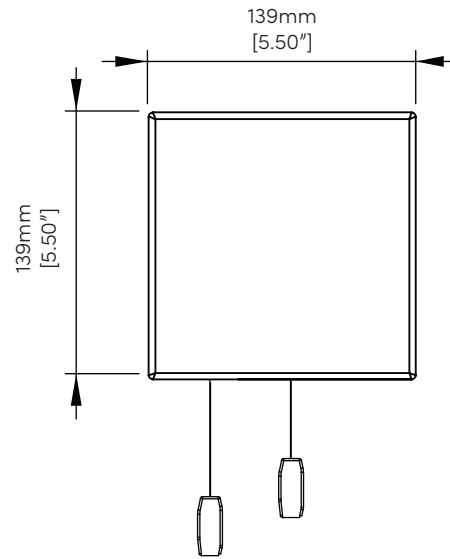
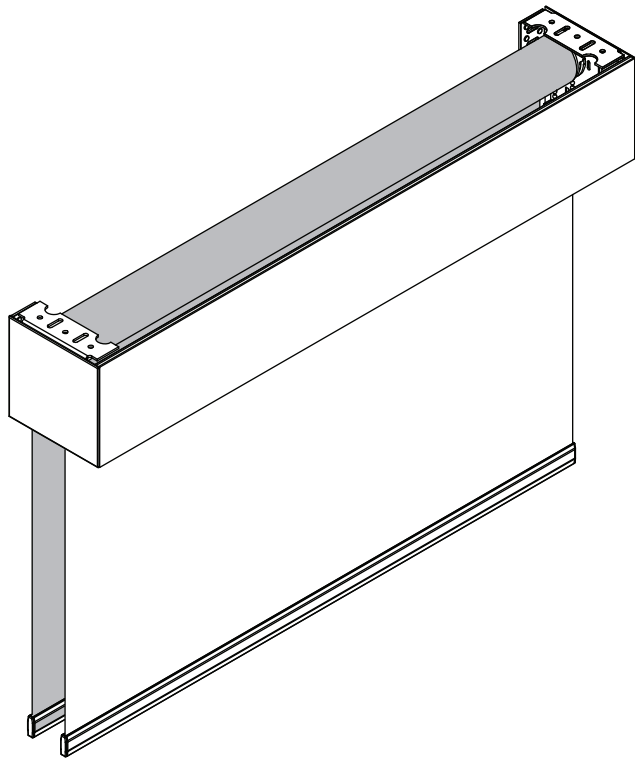


Z-550 TWIN FASCIA



DESCRIPTION

Z-550 Twin Fascia accommodates two shades of different opacities in one set of brackets. It features a removable 5.5" fascia cover for easy maintenance. Motors and chain controls can be positioned for LL or RR operation.

OPTIONS



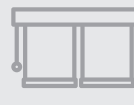
REVERSE ROLL



SPRING ASSIST



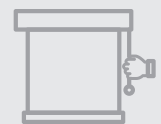
SIDE CHANNELS



INTERMEDIATE BRACKET



BACK COVER



CHAIN CONTROL



MOTOR CONTROL



SQUARE FASCIA



ON-SITE ASSEMBLY

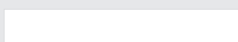


CEILING POCKET



FABRIC LEVELLING

COLOURS



WHITE



ESPRESSO



ANODIZED