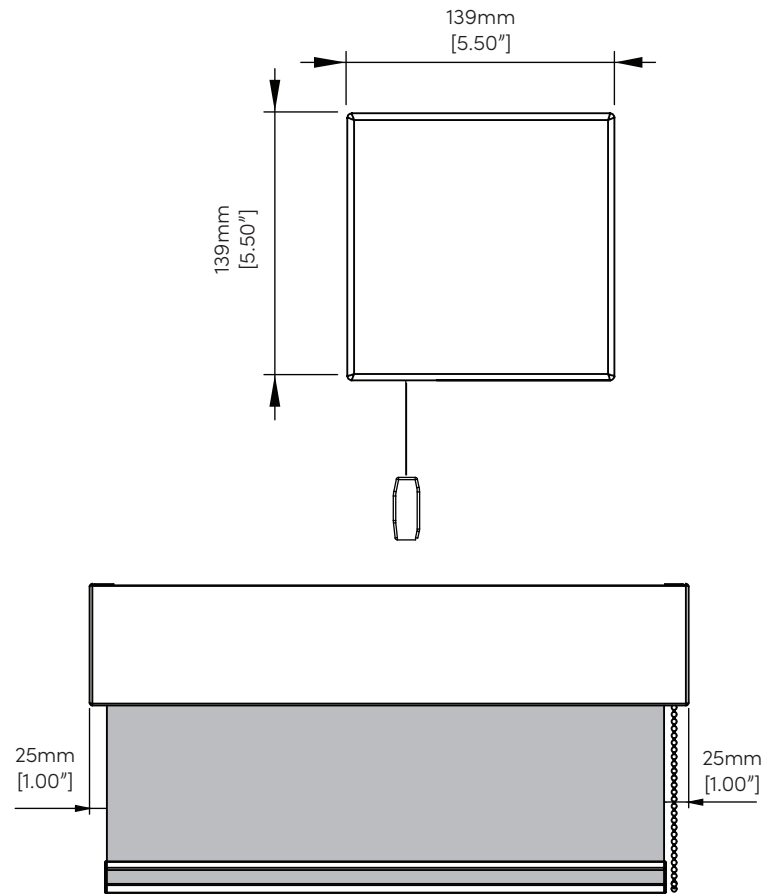
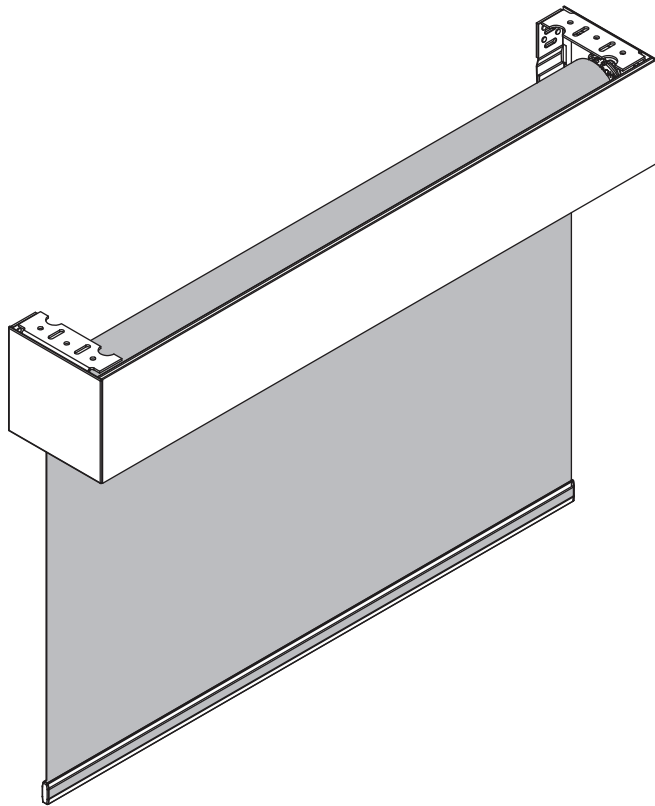


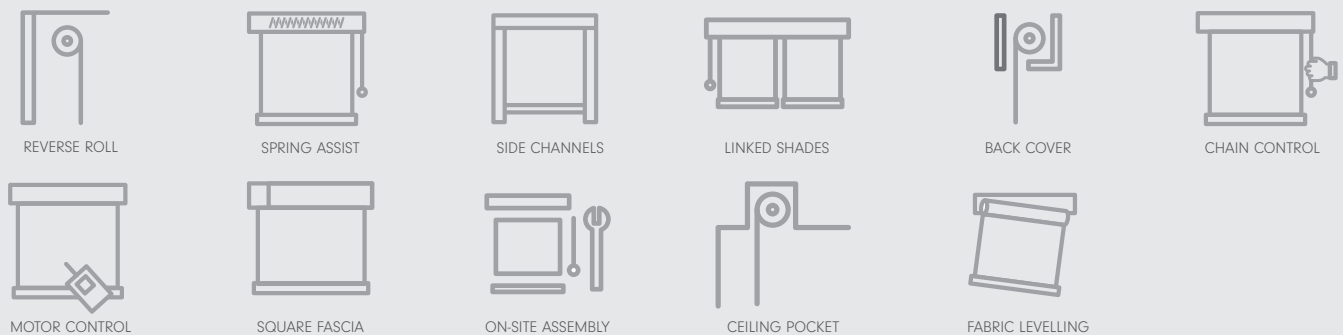
Z-550 FASCIA



DESCRIPTION

The Z-550 is a heavy duty and modular shading system that can be configured for many different shading applications. It features a removable 5.5" fascia cover for easy maintenance and adjustable shade roll positioning for precision fabric alignment. The Z-550 is designed for large motorized roller shades. Motors can be positioned for L or R side control.

FEATURES & OPTIONS



COLOURS

