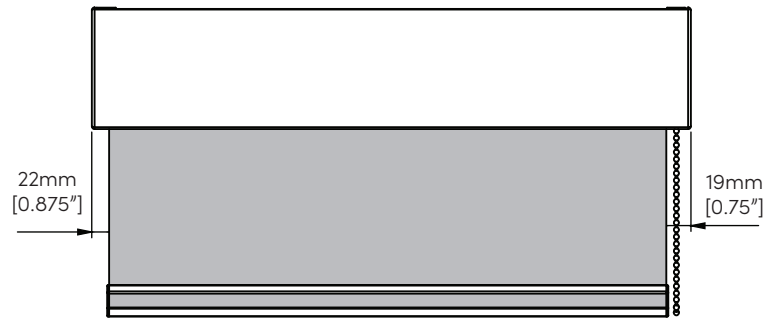
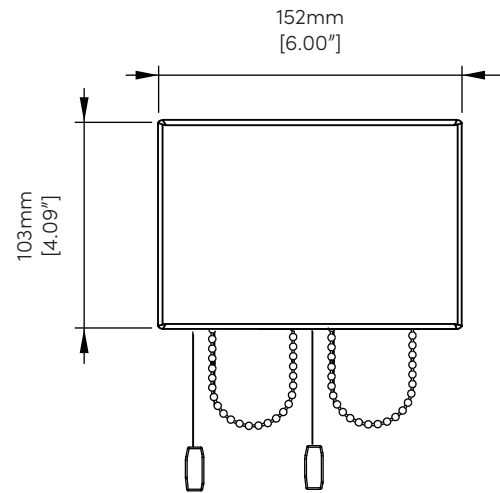
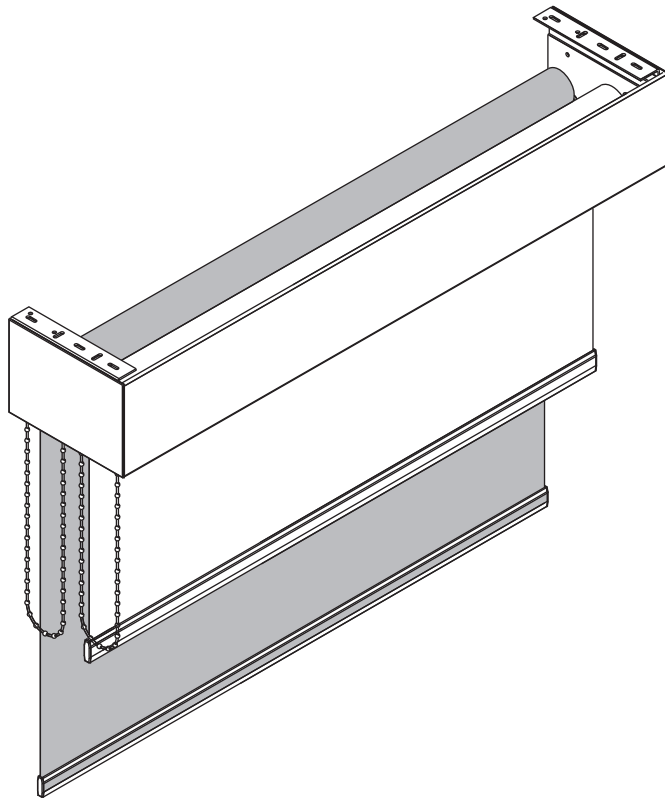


Z-400 TWIN FASCIA



DESCRIPTION

The Z-400 Twin Fascia accommodates two roller shades of different opacities in one set of brackets. A 4" aluminum fascia cover conceals shade roll and brackets, which can be easily removed if necessary for shade maintenance without uninstalling the entire shade. Motors and chains can be positioned for LL, RR, or LR controls.

FEATURES & OPTIONS



SPRING ASSIST



SIDE CHANNELS



LINKED SHADES



CHAIN CONTROL



MOTOR CONTROL



CURVED FASCIA

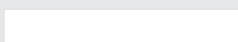


SQUARE FASCIA

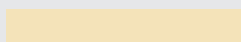


ON-SITE ASSEMBLY

COLOURS



WHITE



ALABASTER



ESPRESSO



BLACK



ANODIZED