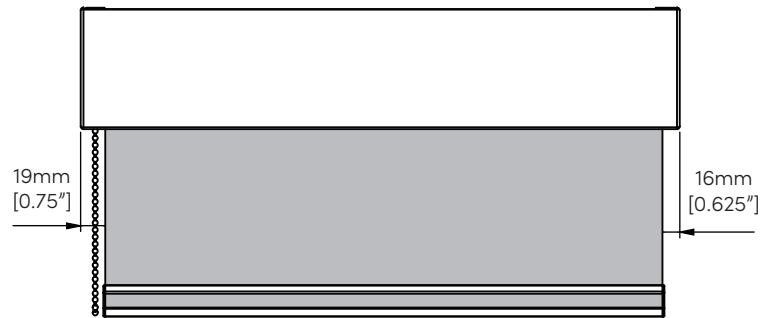
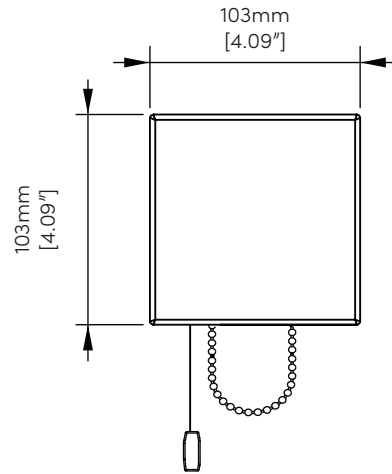
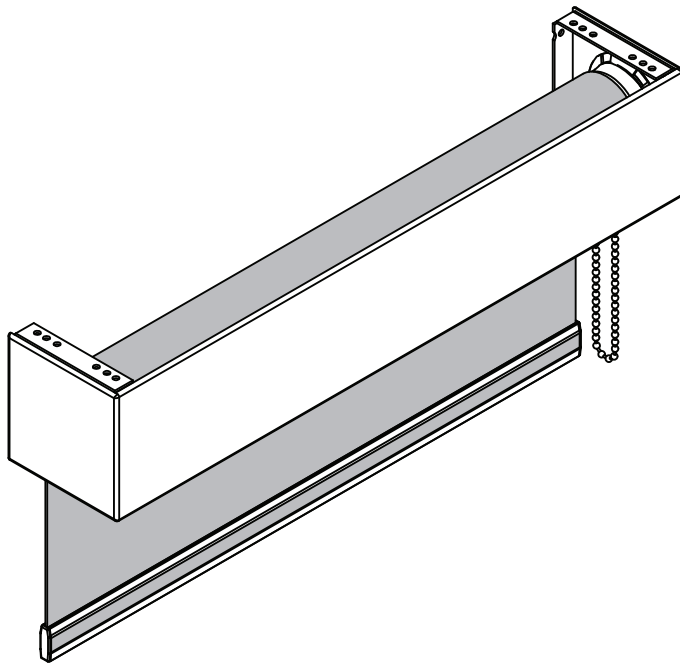


Z-400 FASCIA



DESCRIPTION

The Z-400 Fascia systems features a 4" aluminum fascia cover that conceals fabric roll and brackets. It can be easily removed if necessary for shade maintenance without uninstalling the entire shade. The fascia cover is available in square or curved designs. Motors and chains can be positioned for L or R side control.

FEATURES & OPTIONS



REVERSE ROLL



SPRING ASSIST



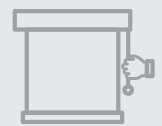
SIDE CHANNELS



LINKED SHADES



BACK COVER



CHAIN CONTROL



MOTOR CONTROL



CURVED FASCIA



SQUARE FASCIA

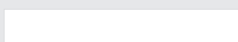


ON-SITE ASSEMBLY

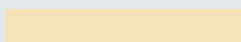


FABRIC LEVELLING

COLOURS



WHITE



ALABASTER



ESPRESSO



BLACK



ANODIZED