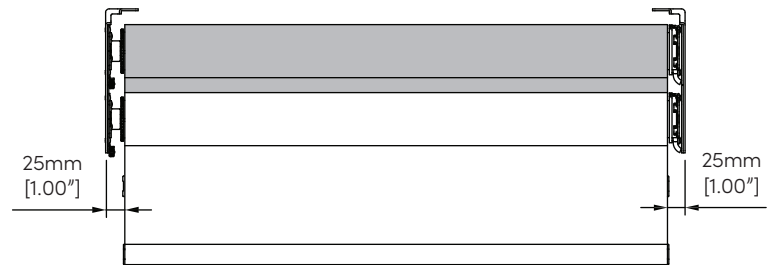
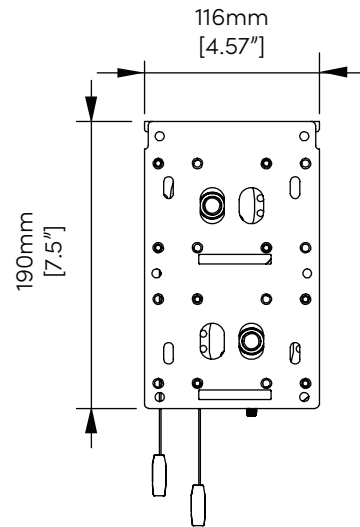
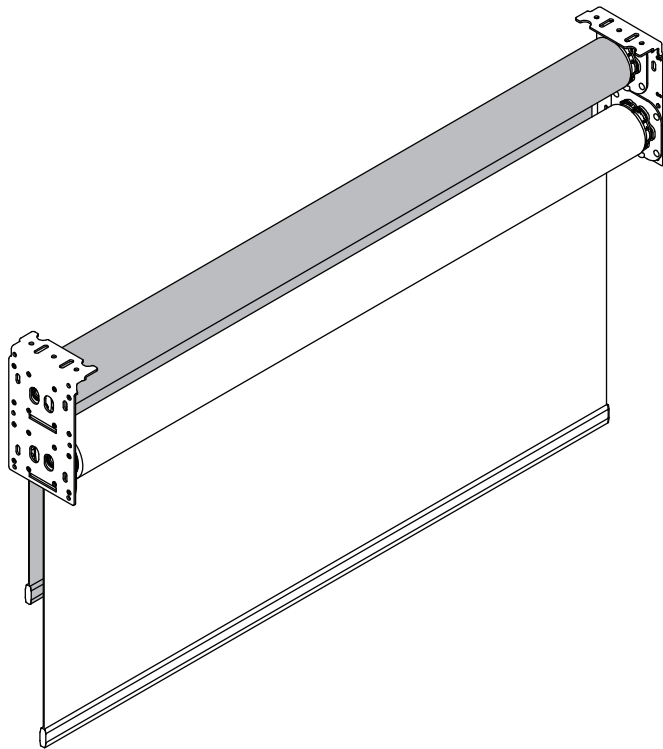


Z-200 TWIN OPEN ROLL



DESCRIPTION

The Z-200 Twin accommodates two roller shades of different opacities in one set of brackets. The brackets can also be configured to hold one large central roller shade. The Z-200 Twin is designed for motorized roller shades only and can be installed on the window or recessed within a ceiling pocket. Motors can be positioned for LL, RR, or LR control.

FEATURES & OPTIONS



SIDE CHANNELS



LINKED SHADES



MOTOR CONTROL



FABRIC LEVELLING



ON-SITE ASSEMBLY



CEILING POCKET

COLOURS



WHITE



ANODIZED