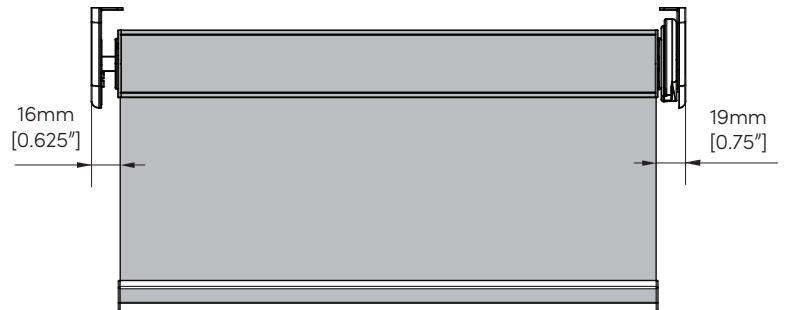
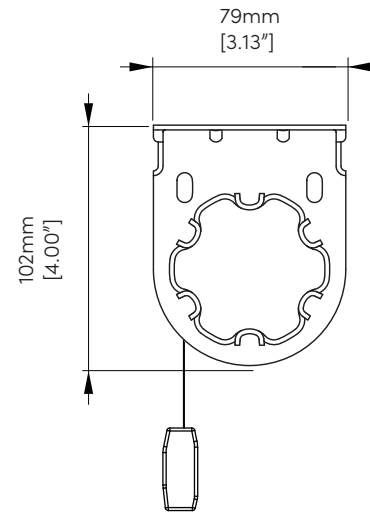
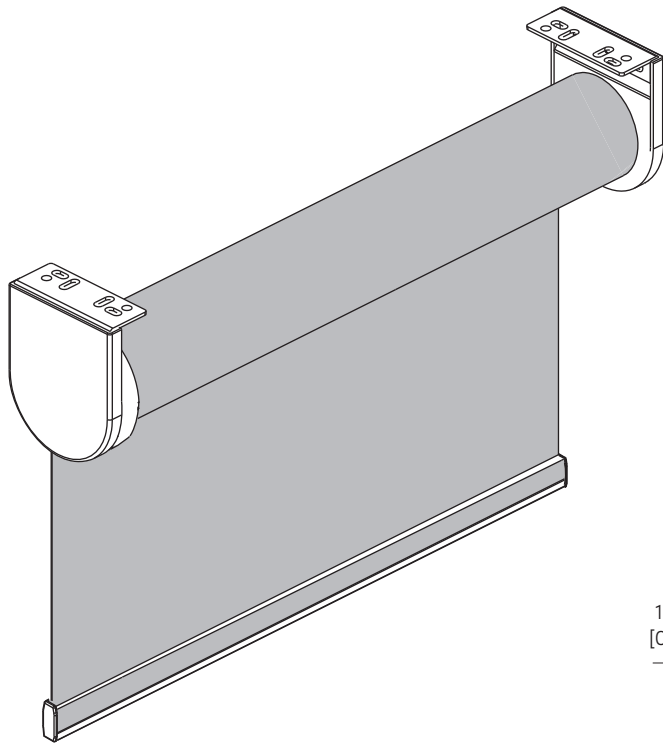


Z-200 OPEN ROLL



DESCRIPTION

Z-200 Open Roll brackets comprise the basic hardware components for roller shades. The shade roll is suspended between two end brackets for simple installation and shade operation. This systems is designed for larger motorized shades. Motors can be positioned for L or R side control.

FEATURES & OPTIONS



REVERSE ROLL



SIDE CHANNELS



LINKED SHADES



MOTOR CONTROL



ON-SITE ASSEMBLY

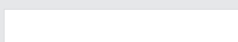


CEILING POCKET



FABRIC LEVELLING

COLOURS



WHITE



BLACK