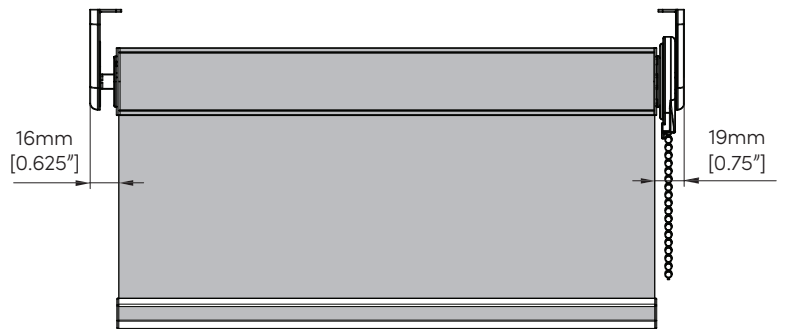
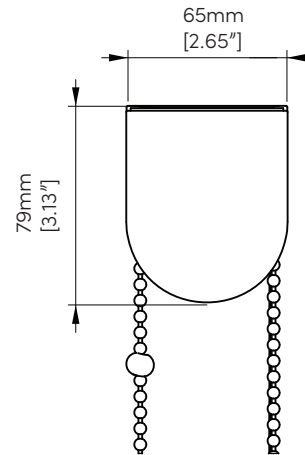
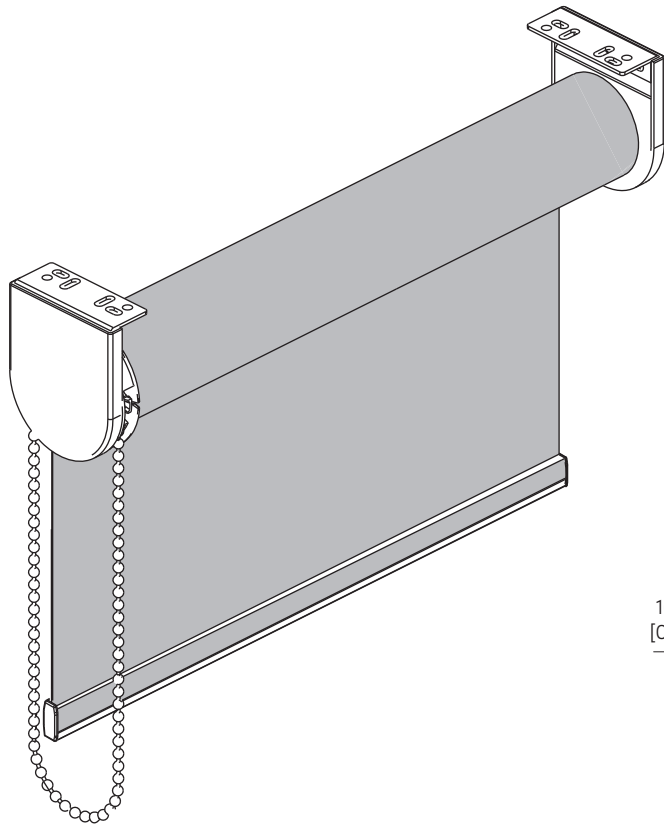


# Z-175 OPEN ROLL



## DESCRIPTION

Z-175 Open Roll brackets comprise the basic hardware components for roller shades. The shade roll is suspended between two end brackets for simple installation and shade operation. This system is designed for larger shades. Motors and chains can be positioned for L or R side control.

## FEATURES & OPTIONS



REVERSE ROLL



SPRING ASSIST



SIDE CHANNELS



LINKED SHADES



CHAIN CONTROL



MOTOR CONTROL

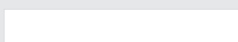


ON-SITE ASSEMBLY



CEILING POCKET

## COLOURS



WHITE



BLACK