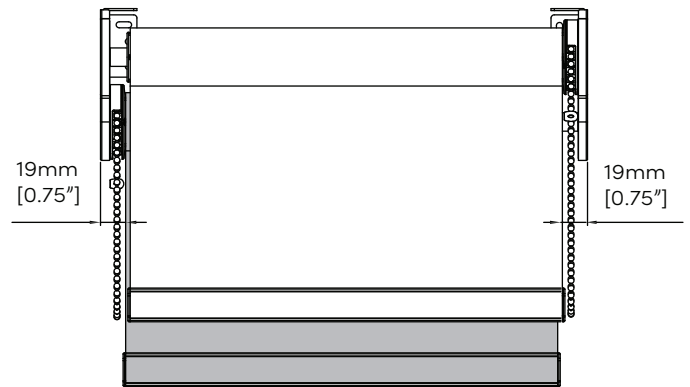
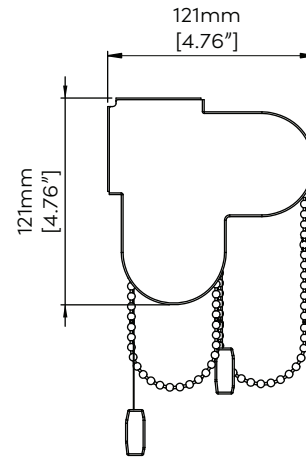
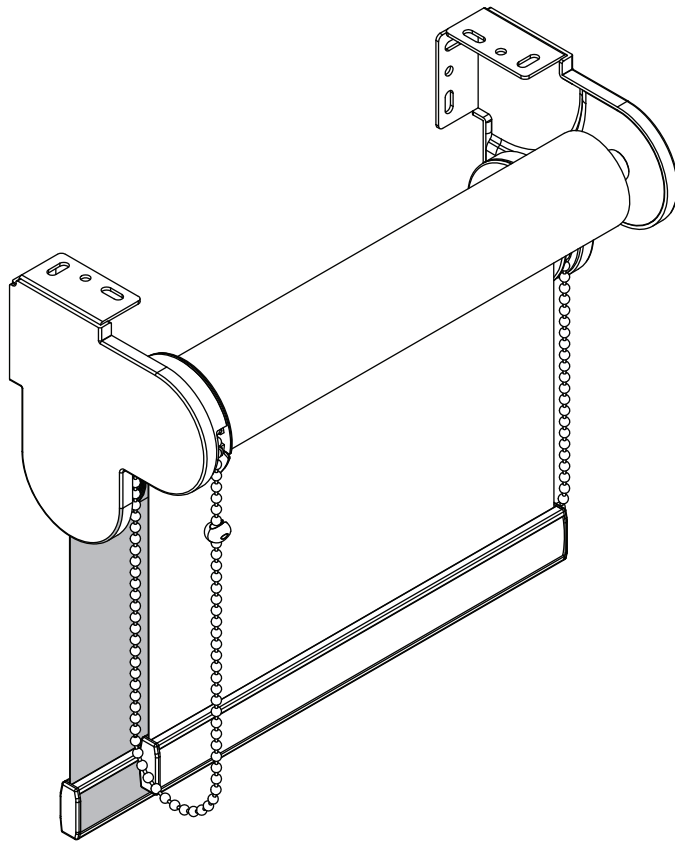


# Z-150 TWIN OPEN ROLL



## DESCRIPTION

Z-150 Twin brackets can accommodate two roller shades of different opacities in one set of brackets. The shade rolls are suspended between two end brackets for simple installation and shade operation. Z-150 Twin Brackets are designed for medium sized shades. Motors and chains can be positioned for LL, RR, or LR control.

## FEATURES & OPTIONS



SPRING ASSIST



SIDE CHANNELS



LINKED SHADES



CHAIN CONTROL



MOTOR CONTROL

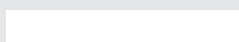


ON-SITE ASSEMBLY



CEILING POCKET

## COLOURS



WHITE