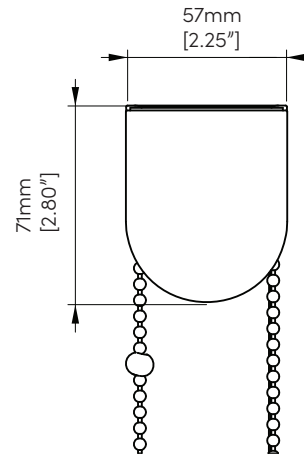
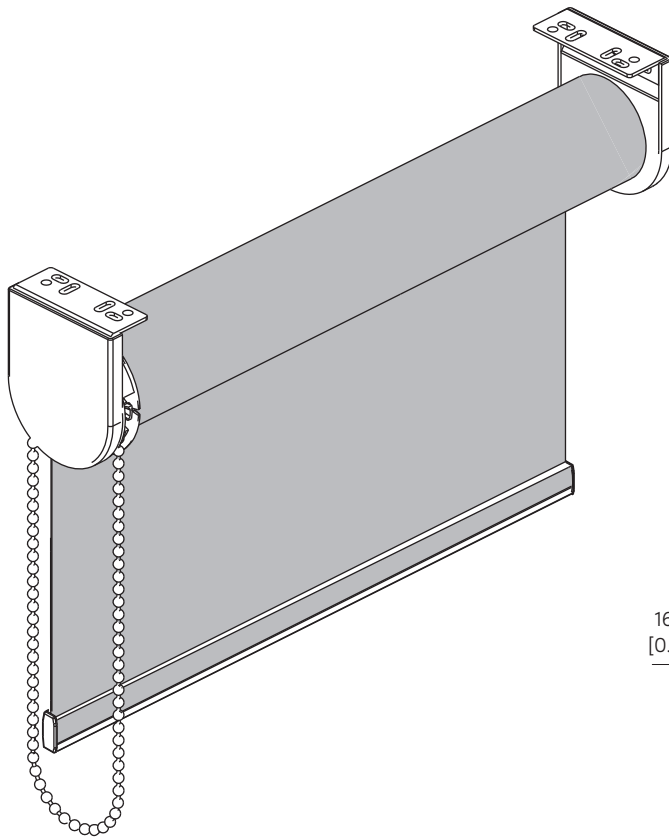


Z-150 OPEN ROLL



DESCRIPTION

Z-150 Open Roll brackets comprise the basic hardware components for roller shades. The shade roll is suspended between two end brackets for simple installation and shade operation. This system is designed for medium sized shades. Motors and chains can be positioned for L or R side control.

FEATURES & OPTIONS



REVERSE ROLL



SPRING ASSIST



SIDE CHANNELS



LINKED SHADES



CHAIN CONTROL



FREE MOTION™
CORDLESS CONTROL



MOTOR CONTROL

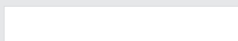


ON-SITE ASSEMBLY

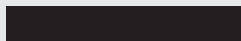


CEILING POCKET

COLOURS



WHITE



BLACK