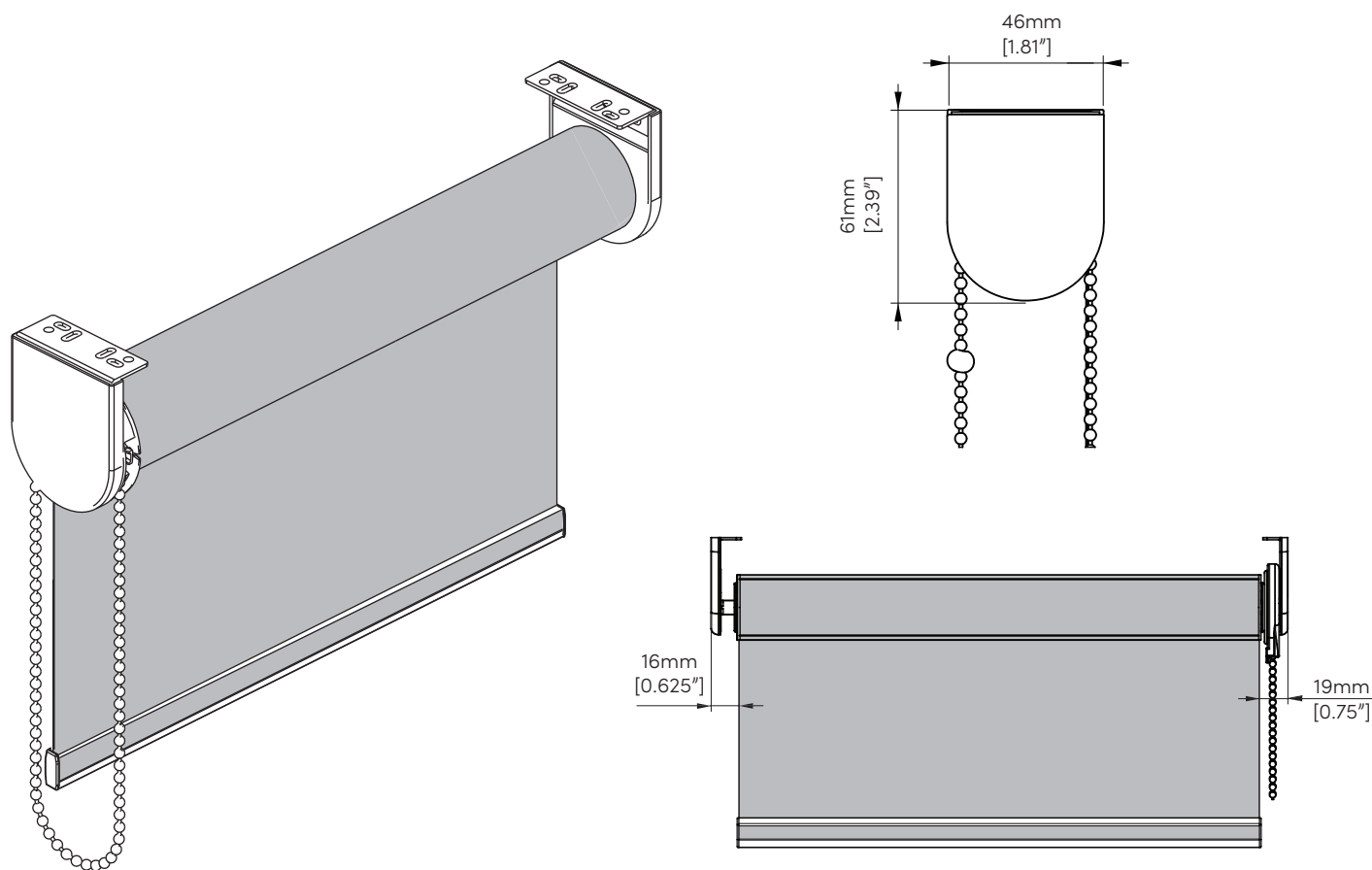


Z-125 OPEN ROLL BRACKETS



DESCRIPTION

Z-125 Open Roll brackets comprise the basic hardware components for roller shades. The shade roll is suspended between two end brackets for simple installation and operation. Our smallest bracketing system, the Z-125 is designed for small medium sized windows and tight spaces. Motors and chains can be positioned for L or R side control.

FEATURES & OPTIONS



REVERSE ROLL



SIDE CHANNELS



CHAIN CONTROL



FREE MOTION™
CORDLESS CONTROL



MOTOR CONTROL

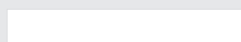


CEILING POCKET



ON-SITE ASSEMBLY

COLOURS



WHITE



BLACK