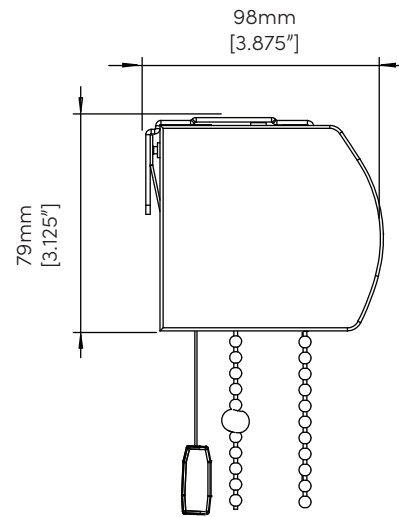
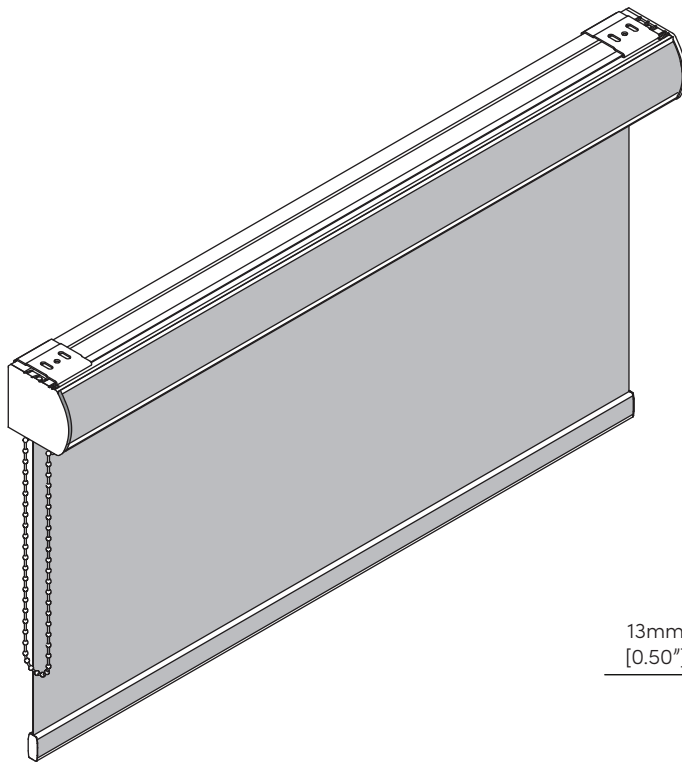


# S-325 CASSETTE



## DESCRIPTION

The S-325 Cassette is a fully assembled shading system, enclosed within a curved aluminum cassette profile. The cassette features simple mounting brackets and a matching fabric insert that runs the width of the cassette. The S-325 is designed for medium to large sized shades. Motors and chain controls can be positioned for either L or R side control.

## FEATURES & OPTIONS



SPRING ASSIST



LINKED SHADES



CHAIN CONTROL



FREE MOTION™  
CORDLESS CONTROL



MOTOR CONTROL

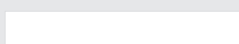


FABRIC INSERT

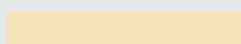


FACTORY ASSEMBLED

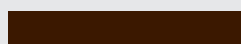
## COLOURS



WHITE



ALABASTER



ESPRESSO



BLACK



ANODIZED