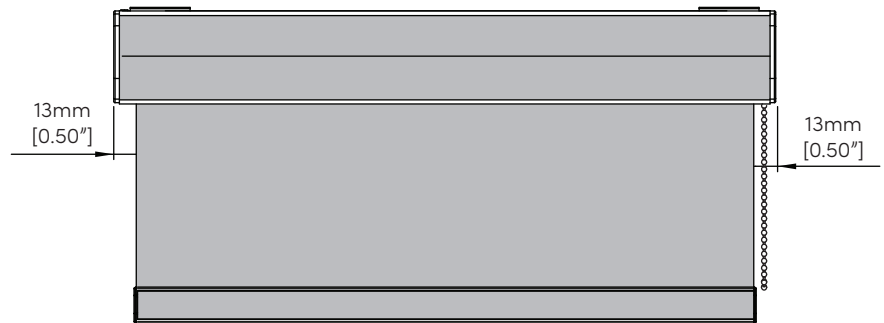
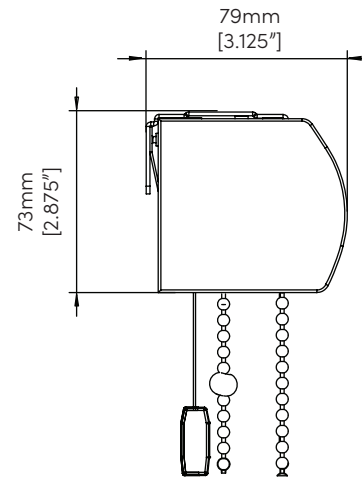
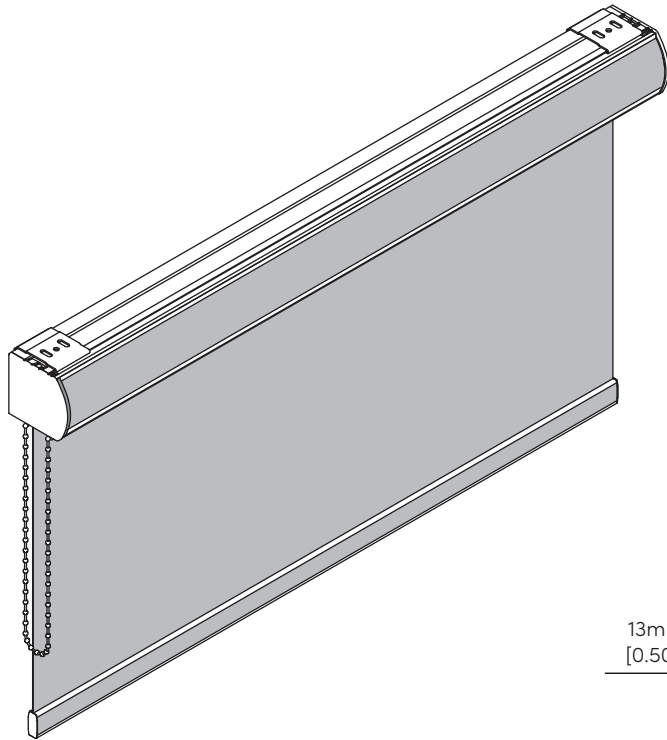


S-300 CASSETTE



DESCRIPTION

The S-300 Cassette is a fully assembled shading system, enclosed within a curved aluminum cassette profile. The cassette features simple mounting brackets and a matching fabric insert that runs the width of the cassette. The S-300 is designed for small to medium sized shades. Motors and chain controls can be positioned for either L or R side control.

FEATURES & OPTIONS



SPRING ASSIST



LINKED SHADES



CHAIN CONTROL



FREE MOTION™
CORDLESS CONTROL



MOTOR CONTROL

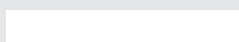


FABRIC INSERT

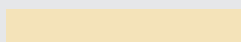


FACTORY ASSEMBLED

COLOURS



WHITE



ALABASTER



ESPRESSO



BLACK



ANODIZED